



TURN-TILT WINDOWS



A11.15 HANDLES AND LOCKCASES

01.06.2018



HANDLES AND LOCKCASES

CONTENTS

1. Handles in combination with lockcase	A11.15.03
1.1. Lockcase (for handles without base)	A11.15.03
1.2. Lockcase (for handles with base)	A11.15.09
2. Handles in combination with connection piece set	A11.15.15
2.1. Connection piece set n° 35000-700	A11.15.15
2.2. Connection piece set n° 35300-701 (Chrono Safe)	A11.15.15
2.3. Standard handles	A11.15.16
2.4. Handles with cylinder (CYL version)	A11.15.18
2.5. Fireman's axe handle (V version) and loose grip	A11.15.20
2.6. Handles with key (W version)	A11.15.21
2.7. Handles with long fork	A11.15.22
2.8. Handles with sloping base	A11.15.23
2.9. Standard and 'S' handle	A11.15.25
2.10. Handle preparations	A11.15.25
2.11. Reinforcement piece for handle n° 30000-691 and -692	A11.15.26

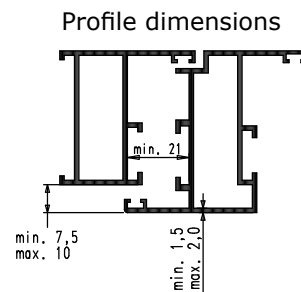


1. Handles in combination with lockcase

1.1. Lockcase (for handles without base)

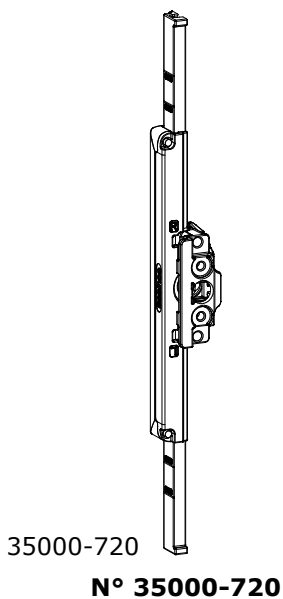
1.1.1. General

- Lockcases n° 35000-720 and 35300-720 can be used with the handles without base. See page A11.15.07.
- The lockcases are made entirely of non-corroding materials.
- The installation is only possible for vents over 685 mm high.

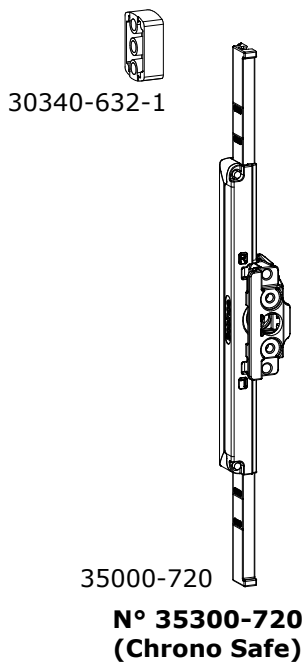


1.1.2. Lockcase n° 35000-720 and 35300-720

- Lockcase n° 35000-720 can be used for Chrono Standard and Chrono Plus.
- The set n° 35300-720 for Chrono Safe consists of a lockcase n° 35000-720 and a thickness piece n° 30340-632-1.



Lockcase n° 35000-720		
1	35000-720	lockcase

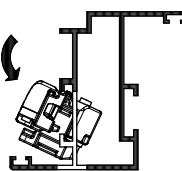


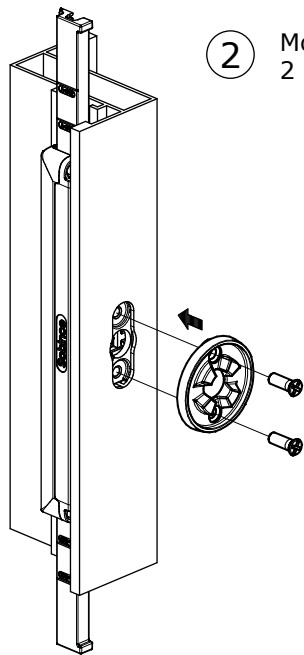
Set n° 35300-720		
1	30340-632-1	thickness piece
1	35000-720	lockcase

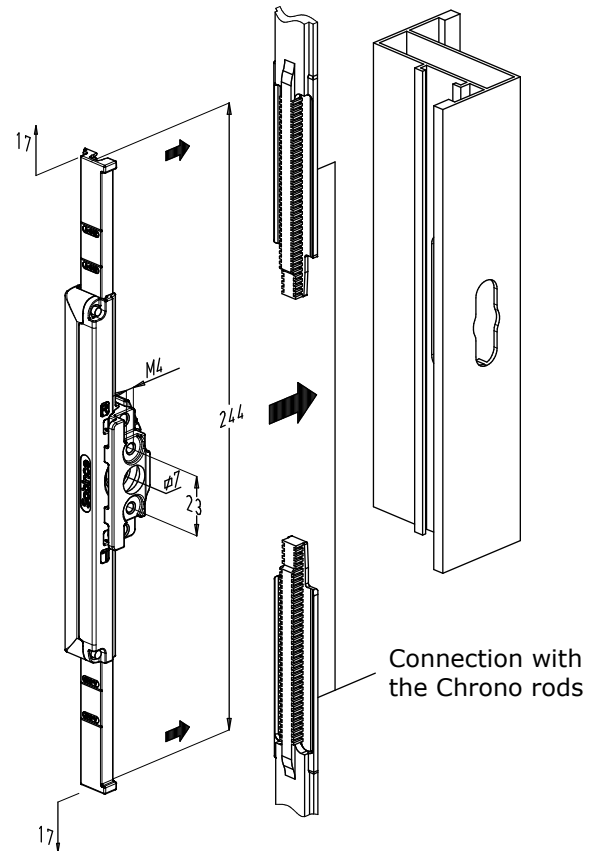


HANDLES AND LOCKCASES

1.1.3. Assembly

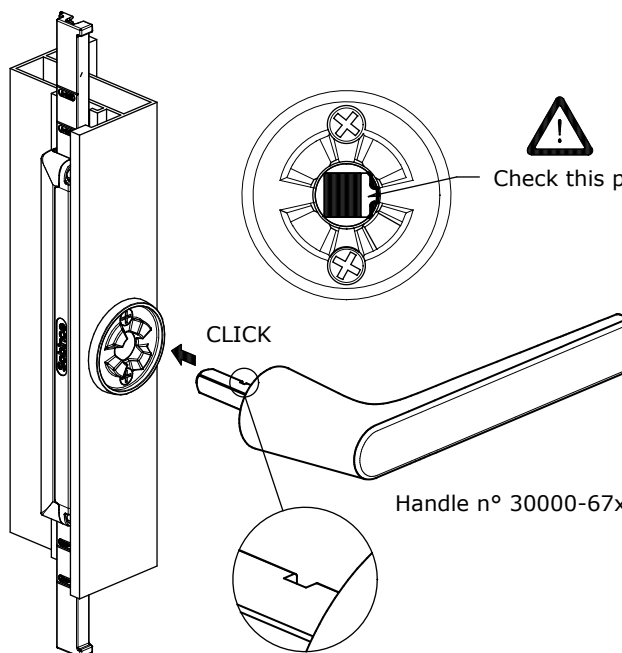
①  Check: has the milling been deburred?
Tilt the lockcase behind the last tooth of the profile.

②  Mount the base with the 2 enclosed screws.



17
244
M4
φ7
23
Connection with the Chrono rods

③ Click in the handle without base.



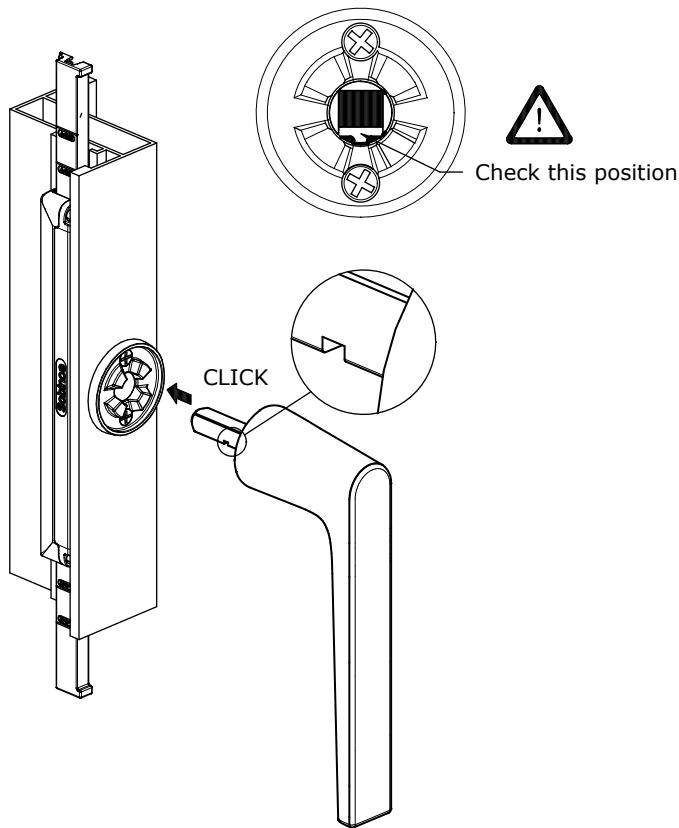
! Check this position
CLICK
Handle n° 30000-67x

④ Check:
Check the tightness of the grip within 8 hours after clicking in the grip.
Therefore turn the handle to all positions several times and move the grip firmly from front to back in each position.
In case of wrong assembly internal damage can occur after 8 hours.

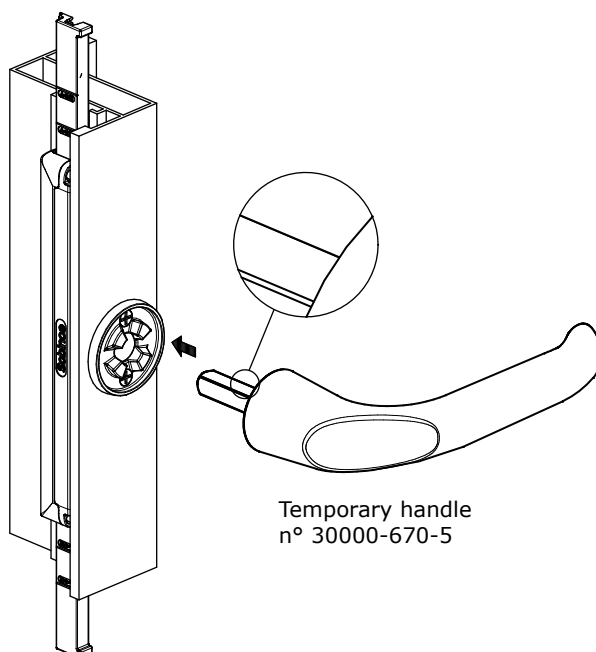


HANDLES AND LOCKCASES

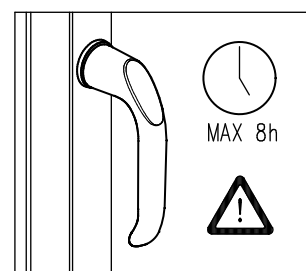
Assembly in closed position



Use of a temporary handle



- The use of a temporary handle for the building site should be restricted to maximum 8 hours because otherwise internal damage can occur.

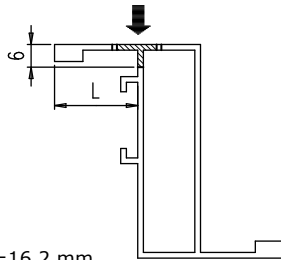




HANDLES AND LOCKCASES

1.1.4. Milling

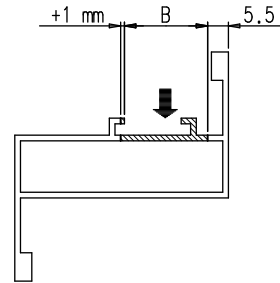
1st milling



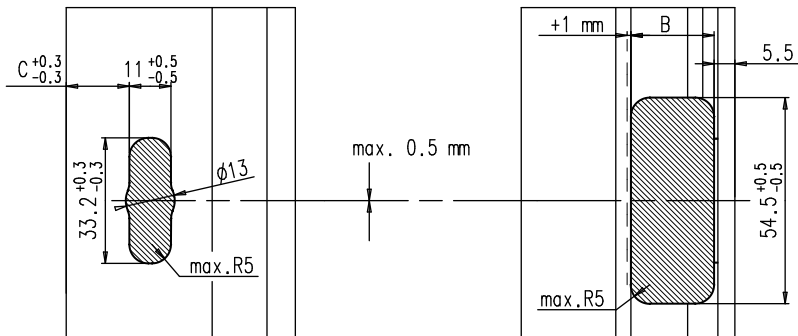
L=21.5 mm → C=16.2 mm
L=22 mm → C=16.7 mm

Minimum 6 mm deep

2nd milling

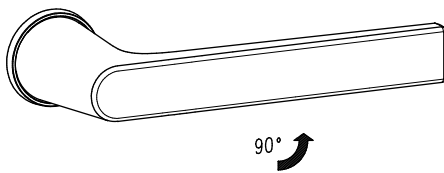


With width **B + 1 mm** at distance 5.5 mm

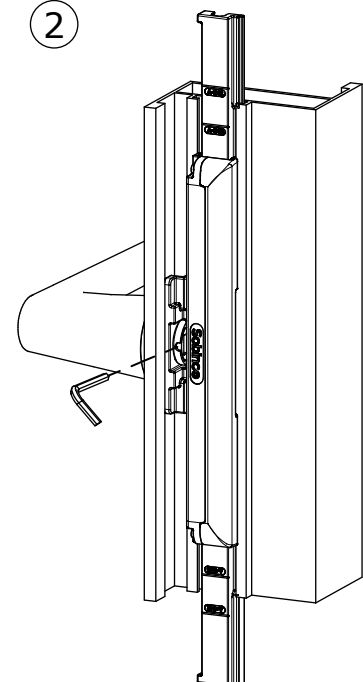


1.1.5. Disassembly

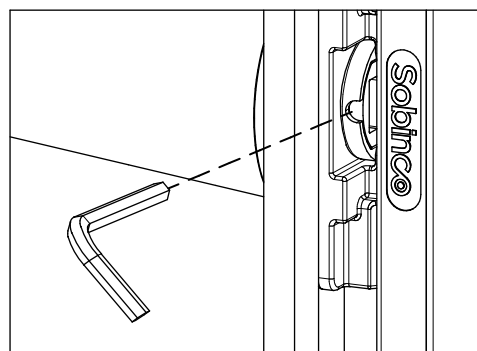
① Turn the handle in the horizontal position (90°).



②



Press with a small tool in the cavity.



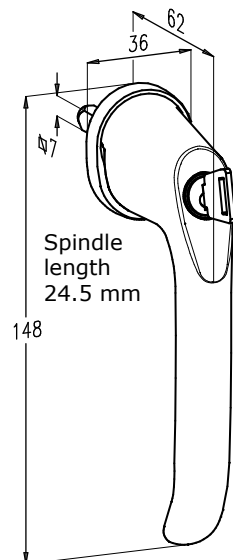
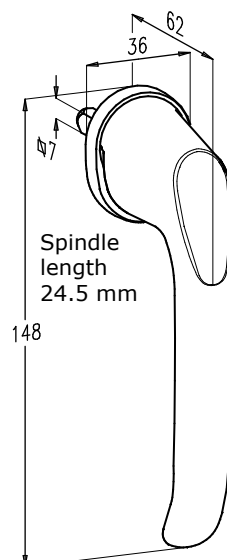
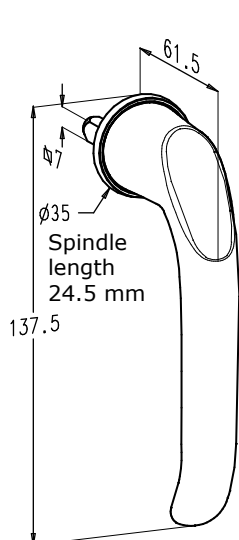


1.1.6. Handles in combination with 35000-720 or 35300-720

General

- The Horizon handles n° 30000-670 (CYL), -671 and the Edge handles n° 30000-673 (CYL), -674 have the same design as the corresponding door handles. So these handles can be used next to one another with the advantage of having the same appearance.
- The high security system Chrono Safe must always be operated by cylinder locking handles. The cylinder locking handle can be locked in closed position.
- To use:
 - with Chrono lockcase n° 35000-720 and n° 35300-720 (only CYL version): see page A11.15.03.
 - for turn-tilt, tilt-turn, side hung open in as well as for tilt windows.
- Finish:
 - N° 30000-670, n° 30000-673:
Grip in aluminium and base in zinc alloy, always polyester powder coated in more than 450 RAL colours.
 - N° 30000-670 CYL, n° 30000-671, n° 30000-673 CYL, n° 30000-674:
Grip in aluminium and base in zinc alloy, grip anodised or grip and base polyester powder coated in more than 450 RAL colours.

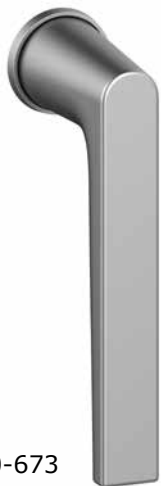
Horizon handles





HANDLES AND LOCKCASES

Edge handles



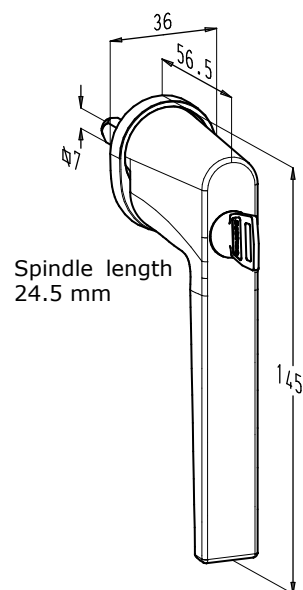
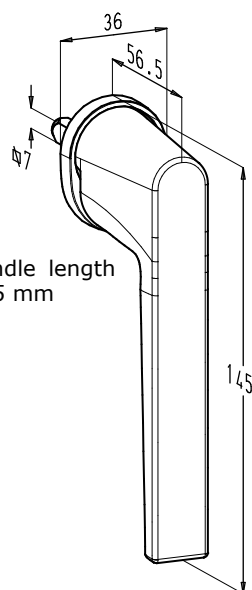
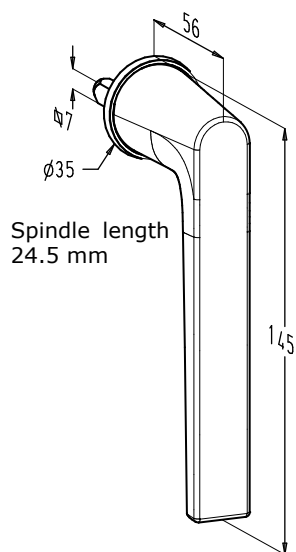
N° 30000-673



N° 30000-674



N° 30000-673 CYL

**Covers n° 30000-670-3 and 30000-670-4**

- Covers to click on the base to protect the windows during transport.
- Suitable for each handle without base.
- The cover can be removed by turning it with a screwdriver.
- Versions:
 - N° 30000-670-3: standard version in black synthetic material
 - N° 30000-670-4: coated version in synthetic material

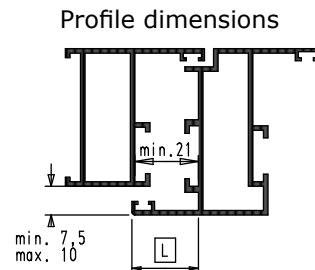




1.2. Lockcase (for handles with base)

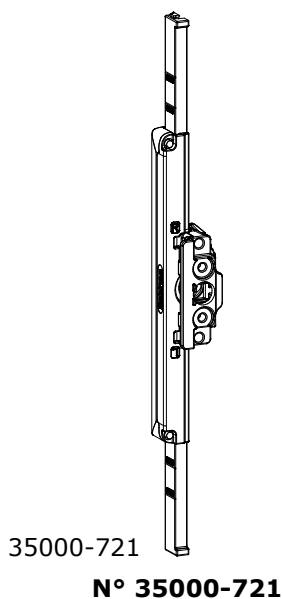
1.2.1. General

- Lockcases n° 35000-721 and 35300-721 can be used by a handle with square spindle of 7 mm. The lockcases can be operated by the Horizon, Edge and Sobinox handles.
- The lockcases are made entirely of non-corroding materials.
- The installation is only possible for vents over 685 mm high.

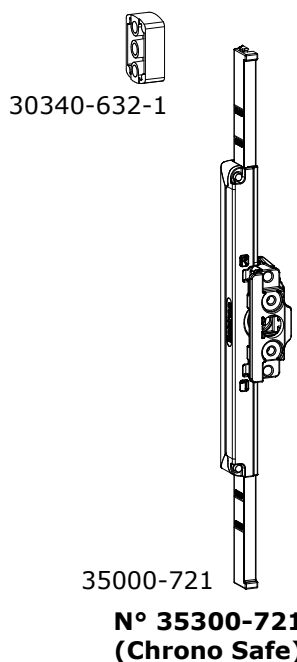


1.2.2. Lockcase n° 35000-721 and 35300-721

- Lockcase n° 35000-721 can be used for Chrono Standard and Chrono Plus.
- The set n° 35300-721 for Chrono Safe consists of a lockcase n° 35000-721 and a thickness piece n° 30340-632-1.



Lockcase n° 35000-721		
1	35000-721	lockcase

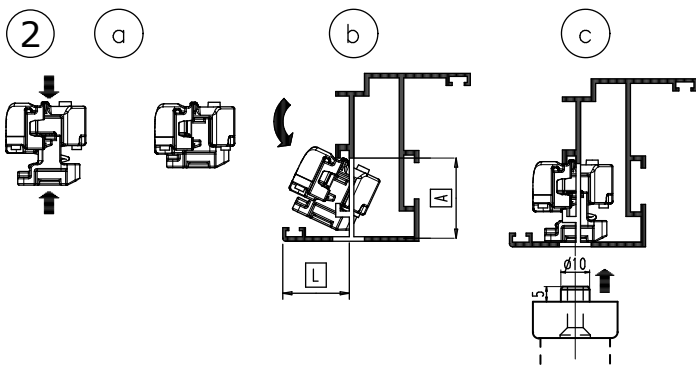
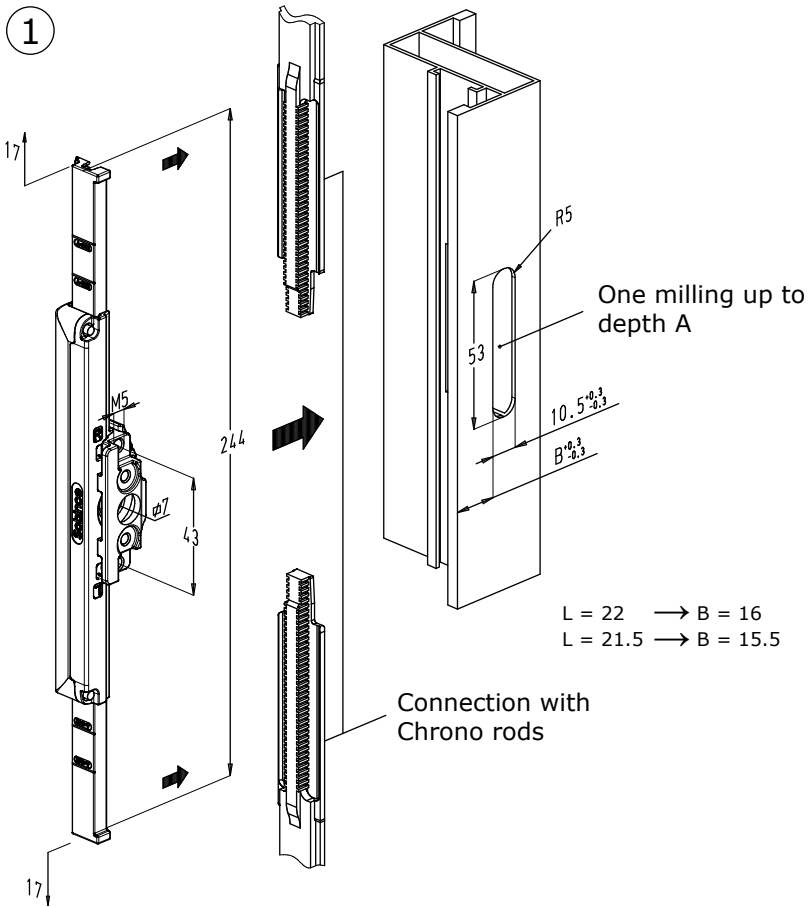


Set n° 35300-721		
1	30340-632-1	thickness piece
1	35000-721	lockcase

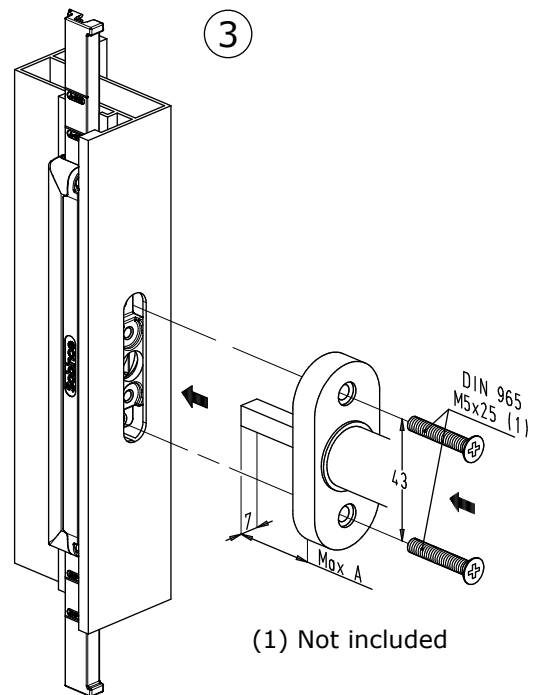


HANDLES AND LOCKCASES

1.2.3. Assembly and milling



- a) Press the clamping plate and the lockcase together.
- b) Tilt the lockcase behind the last tooth of the profile.
- c) Release the clamping plate. The locking rollers at front side are clicking into the holes.



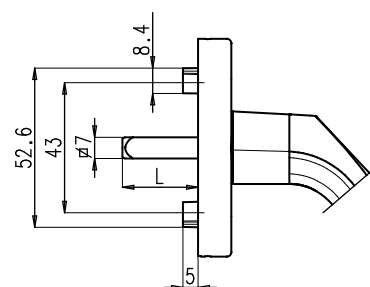
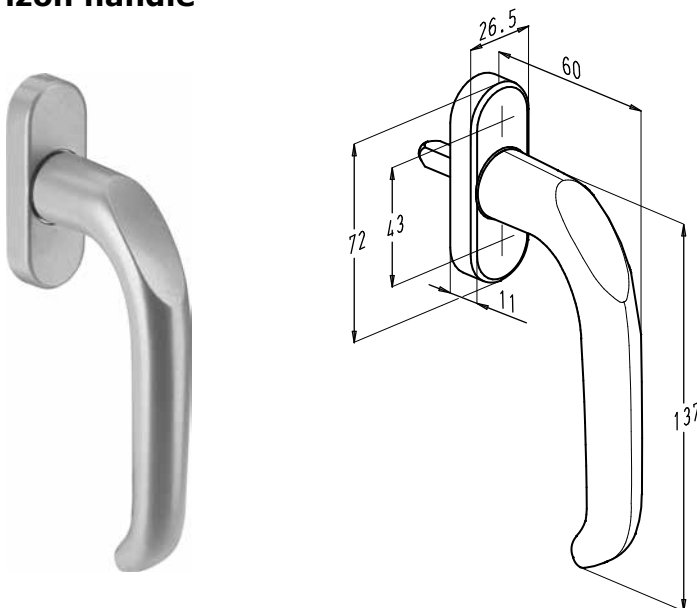


1.2.4. Handles in combination with 35000-721 or 35300-721

General

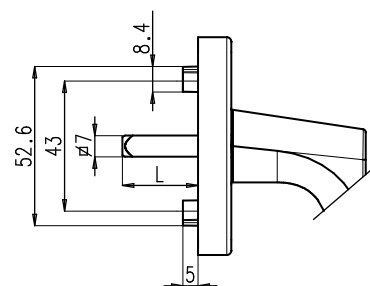
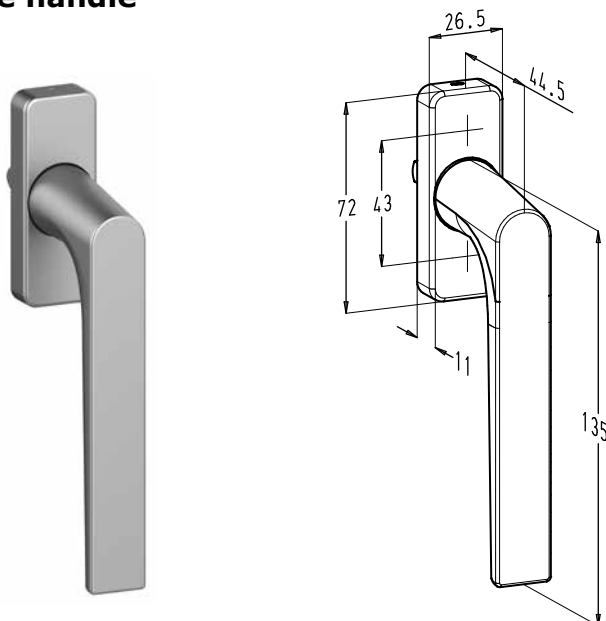
- The Horizon handles and the Edge handles have the same design as the corresponding door handles. So these handles can be used next to one another with the advantage of having the same appearance.
- To use:
 - with Chrono lockcase n° 35000-721: see page A11.15.09.
 - for turn-tilt, tilt-turn, side hung open in as well as for tilt windows.
- Finish: grip and base in aluminium, anodised or polyester powder coated in more than 450 RAL colours.

Horizon handle



Order code	Spindle length L
30000-680	25 mm
30000-680-38	38 mm

Edge handle



Order code	Spindle length L
30000-682	25 mm
30000-682-38	38 mm



HANDLES AND LOCKCASES

Sobinox handles

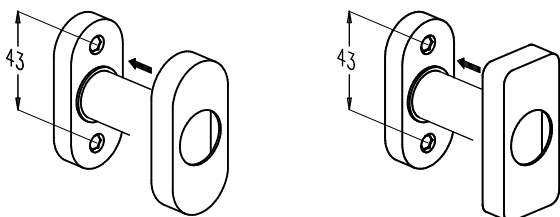
General

- The Sobinox handles are manufactured from high-grade stainless steel AISI 304 and are supplied with a satin finish.
- These door handles can be used in many different sectors due to their aesthetic, practical, maintenance friendly and hygienic properties: e.g. private houses, hospitals, catering, industry,
- The grips are available in different types and can be supplied with an oval or rectangular short backplate.
- The window handles are supplied with a steel zinc plated square spindle of 7 mm. Available in lengths of 25 and 38 mm.
- Window handles with cylinder (1852CYL and 1857CYL) are also available. When ordering please add CYL at the order code.
- The following stainless steel window handles are also available in an aluminium version (AL).
Finish aluminium version: anodised or polyester powder coated in more than 450 RAL colours.
 - 1850AL
 - 1852AL
 - 1855AL
 - 1857AL
- To be used in combination with:
 - Chrono lockcase n° 35000-721: see page A11.15.09.
 - Chrono Safe lockcase n° 35300-721: see page A11.15.09.
 - for turn-tilt, tilt-turn, side hung open in as well as for tilt windows.

Maintenance instructions

- Maintenance should be carried out at suitable intervals to prevent surface corrosion and for reasons of hygiene.
- Normal maintenance:
 - Clean the stainless steel parts regularly.
 - Treat the surface with soapy water or with a mild detergent.
 - Rinse of the detergent with clean water.
 - Polish with a soft cloth or sponge.
- Never use:
 - Scouring powders.
 - Steel wool or steel brushes.
 - Highly abrasive materials.

Fixing backplate with cover

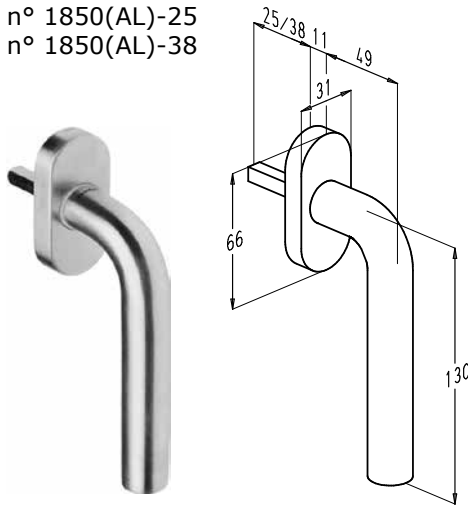




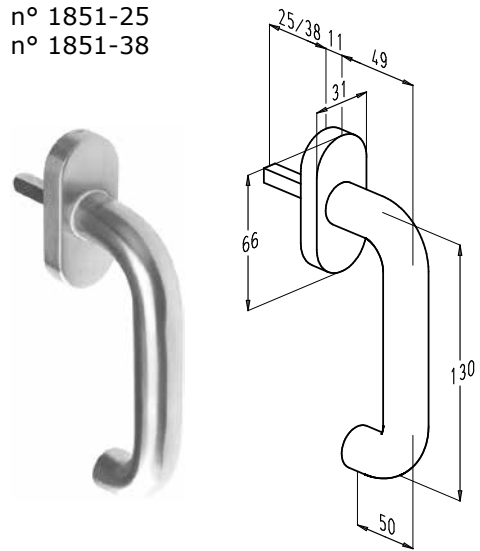
HANDLES AND LOCKCASES

Handles with oval backplate

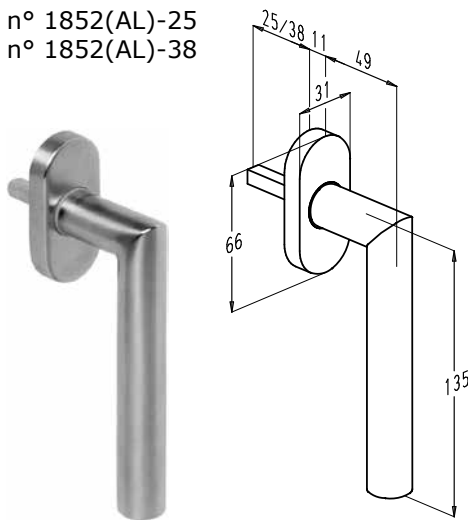
n° 1850(AL)-25
n° 1850(AL)-38



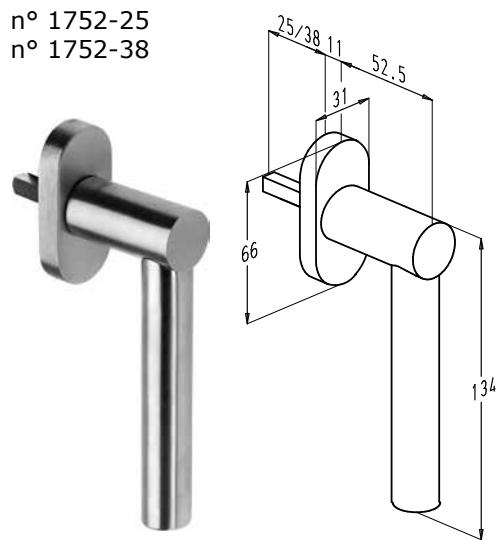
n° 1851-25
n° 1851-38



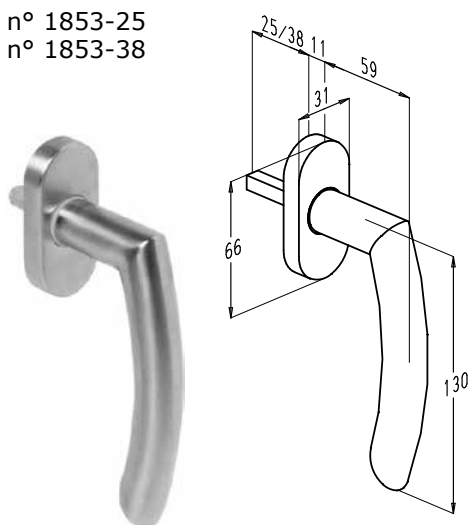
n° 1852(AL)-25
n° 1852(AL)-38



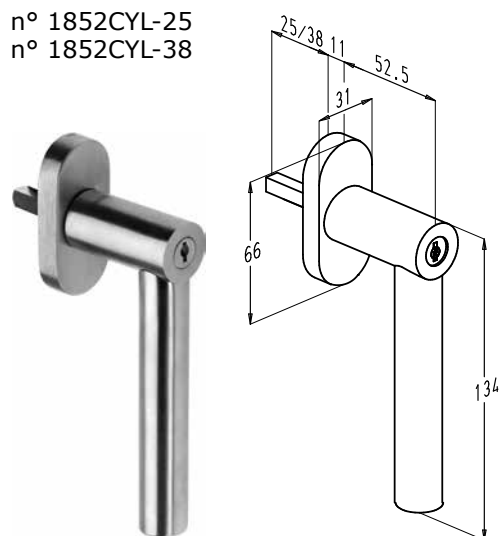
n° 1752-25
n° 1752-38



n° 1853-25
n° 1853-38



n° 1852CYL-25
n° 1852CYL-38



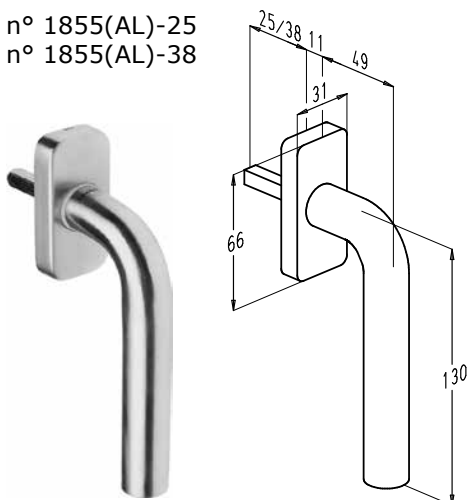
• Handles n° 1852CYL-25 and 1852CYL-38 are suitable for turn-tilt, side hung open in and tilt windows.



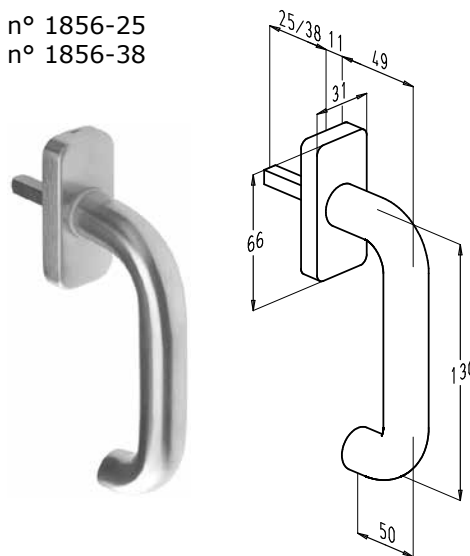
HANDLES AND LOCKCASES

Handles with rectangular backplate

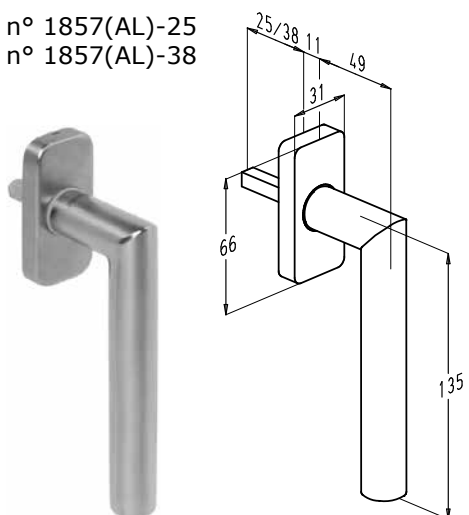
n° 1855(AL)-25
n° 1855(AL)-38



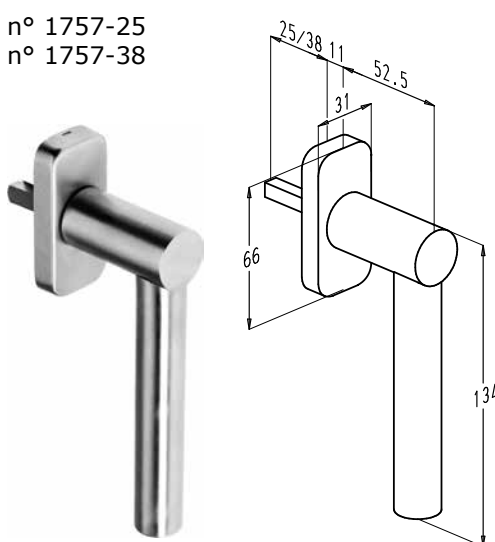
n° 1856-25
n° 1856-38



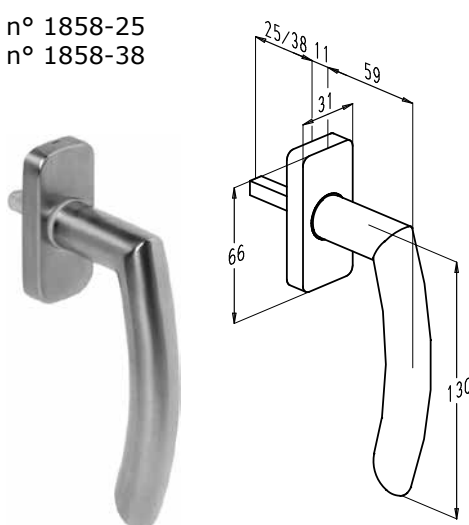
n° 1857(AL)-25
n° 1857(AL)-38



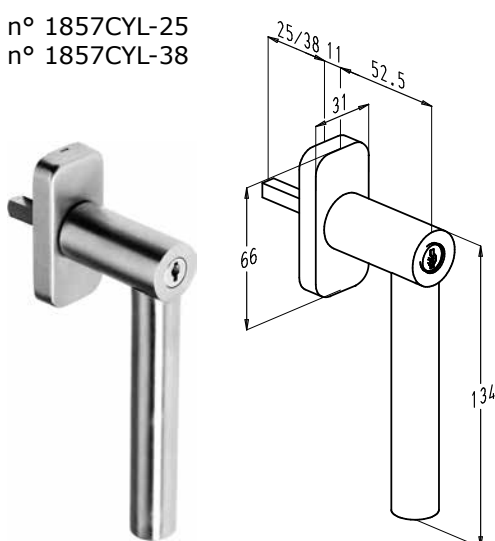
n° 1757-25
n° 1757-38



n° 1858-25
n° 1858-38



n° 1857CYL-25
n° 1857CYL-38

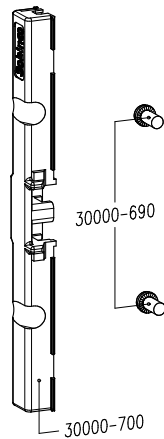


• Handles n° 1857CYL-25 and 1857CYL-38 are suitable for turn-tilt, side hung open in and tilt windows.



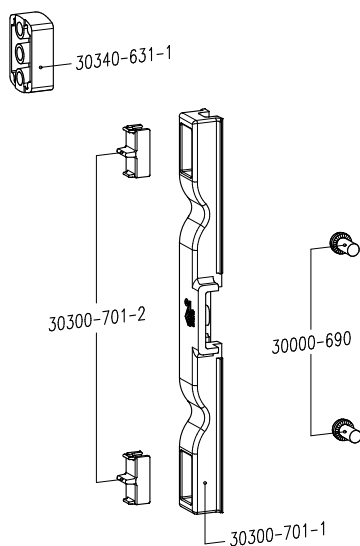
2. Handles in combination with connection piece set

2.1. Connection piece set n° 35000-700



Connection piece set n° 35000-700		
2	30000-690	screw
1	30000-700	connection piece

2.2. Connection piece set n° 35300-701 (Chrono Safe)



Connection piece set n° 35300-701		
2	30000-690	screw
1	30300-701-1	connection piece
1	30300-701-2	block connection piece
1	30340-631-1	thickness piece

- Note: use of fixing holes 84 mm, 98 mm and 104 mm.

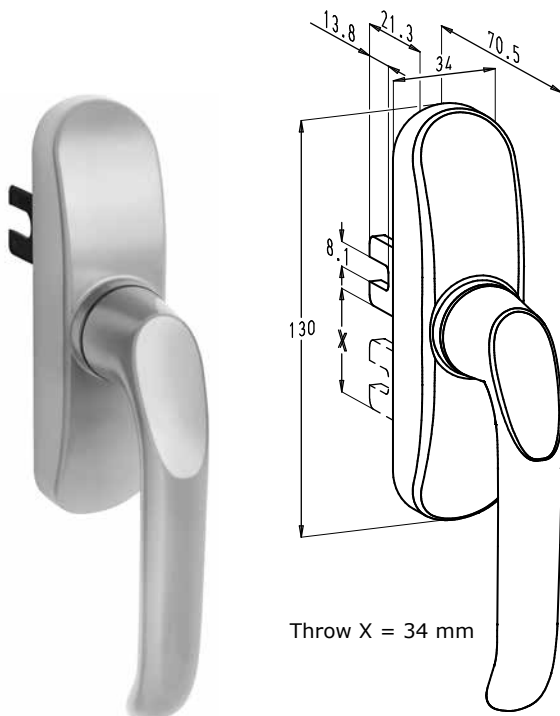
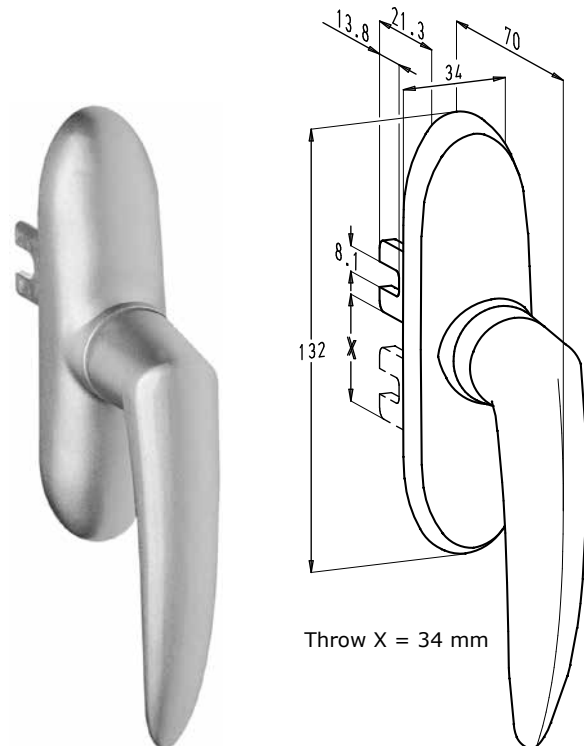
In this case the fixing blocks for the connection piece must be mounted after fixing the handle because it must still be possible to slide the connection piece to fix the handle.



HANDLES AND LOCKCASES

2.3. Standard handles

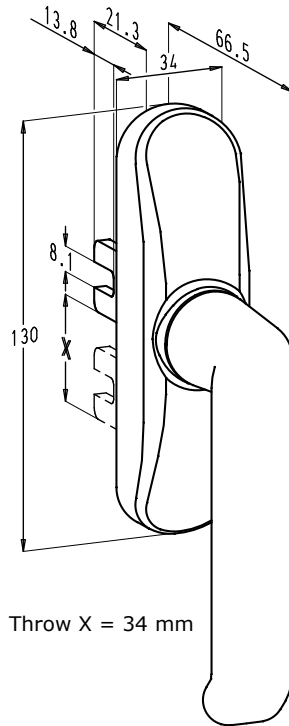
- The same handles can be used for tilt-turn, side hung and bottom hung open in windows. So these windows can be used next to one another with the advantage of having the same appearance.
- Finish:
 - n° 30000-662, n° 30000-659 and n° 30000-657: grip in aluminium and base in zinc alloy, always polyester powder coated.
 - n° 30000-655 and n° 30000-654: grip and base in aluminium anodised or polyester powder coated.
 - more than 450 RAL colours.
- Fixing holes: see page A11.15.25.

N° 30000-662**N° 30000-659**

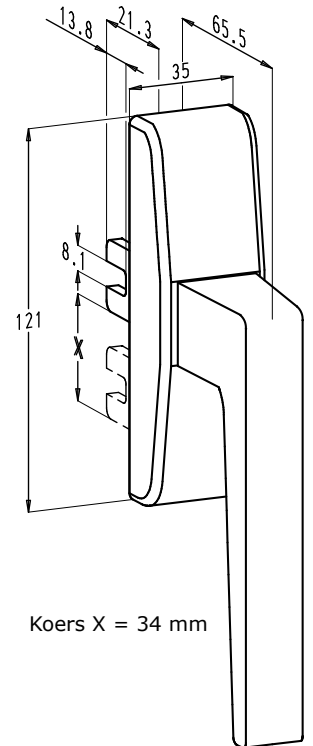


HANDLES AND LOCKCASES

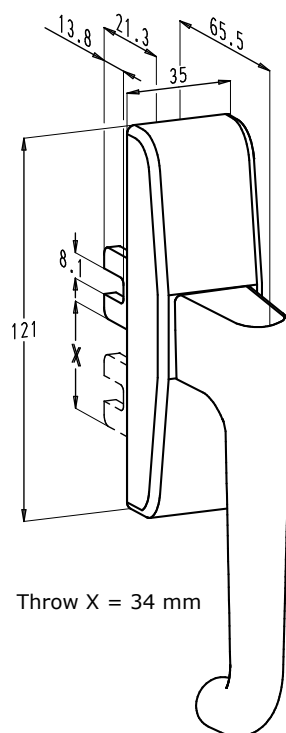
N° 30000-657



N° 30000-655



N° 30000-654

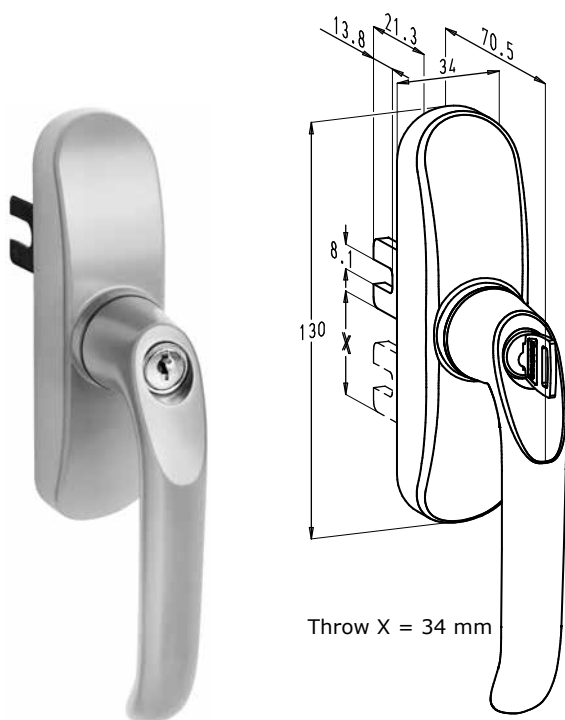
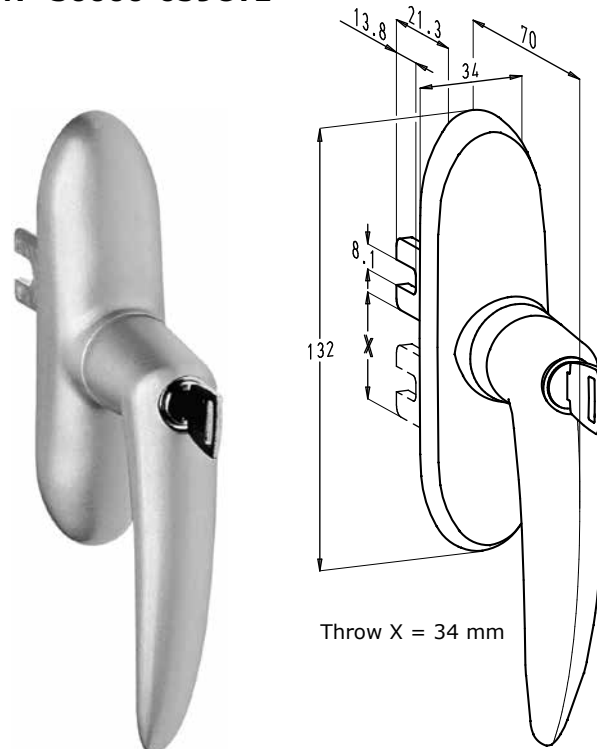




HANDLES AND LOCKCASES

2.4. Handles with cylinder (CYL version)

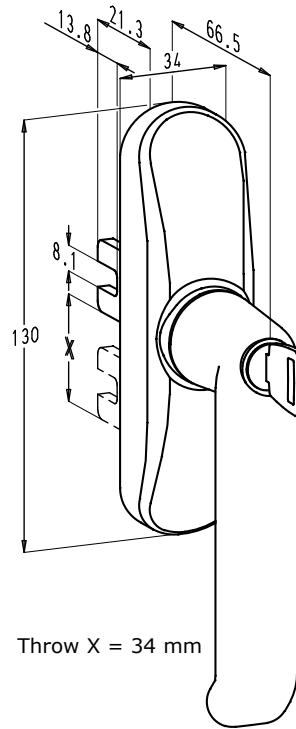
- The high security system Chrono Safe must always be operated by cylinder locking handles n° 30000-... CYL.
- The cylinder locking handle can be locked in closed and tilt position.
- The same handles can be used for tilt-turn, side hung and bottom hung open in windows. So these windows can be used next to one another with the advantage of having the same appearance.
- Finish:
 - n° 30000-662CYL, n° 30000-659CYL and n° 30000-657CYL: grip in aluminium and base in zinc alloy, always polyester powder coated.
 - n° 30000-655CYL and n° 30000-654CYL: grip and base in aluminium anodised or polyester powder coated.
 - more than 450 RAL colours.
- Fixing holes: see page A11.15.25.

N° 30000-662CYL**N° 30000-659CYL**

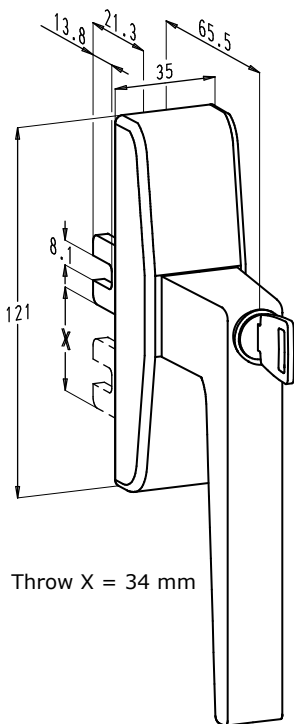


HANDLES AND LOCKCASES

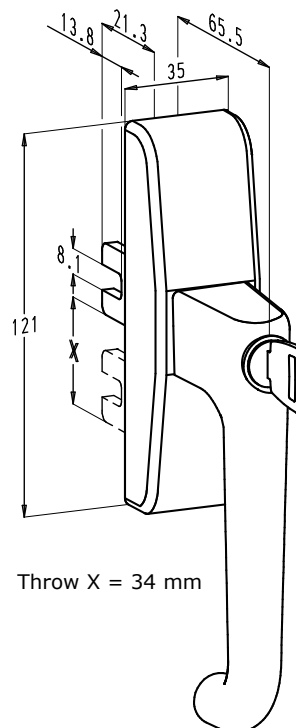
N° 30000-657CYL



N° 30000-655CYL



N° 30000-654CYL

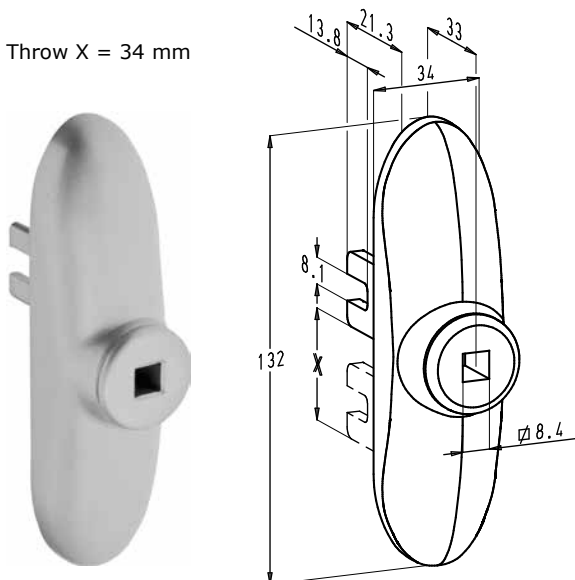




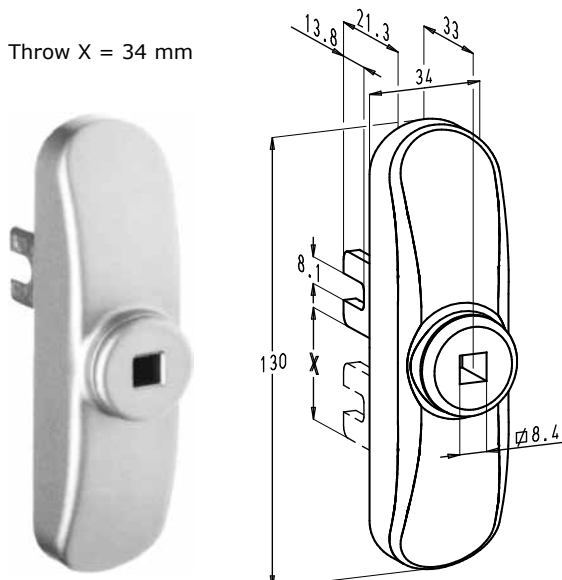
HANDLES AND LOCKCASES

2.5. Fireman's axe handle (V version) and loose grip**N° 30000-659V**

Throw X = 34 mm

**N° 30000-657V**

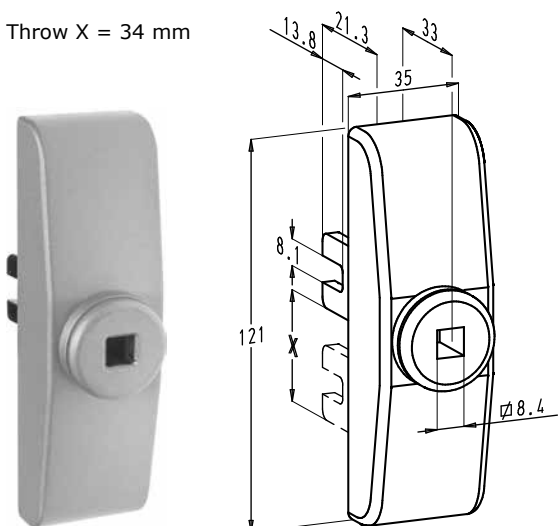
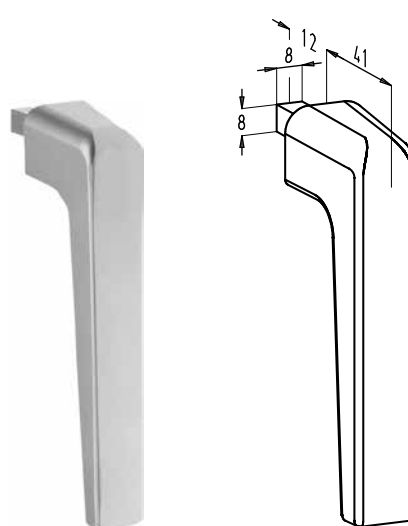
Throw X = 34 mm



- The same handles can be used for tilt-turn, side hung and bottom hung open in windows. So these windows can be used next to one another with the advantage of having the same appearance.
- Finish:
 - handle n° 30000-659V and -657V in zinc alloy, always polyester powder coated.
 - handle n° 30000-655V and loose grip n° 505 in aluminium anodised or polyester powder coated.
 - more than 450 RAL colours.
- Fixing holes: see page A11.15.25.
- This version is especially suitable in places where only authorized persons can open the windows (by means of the loose grip n° 505), but in case of fire the square pointed end of a fireman's axe can also operate the handle.

N° 30000-655V

Throw X = 34 mm

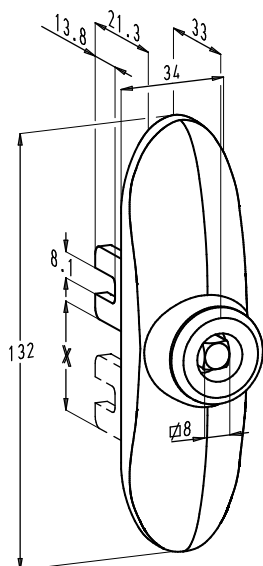
**N° 505**



2.6. Handles with key (W version)

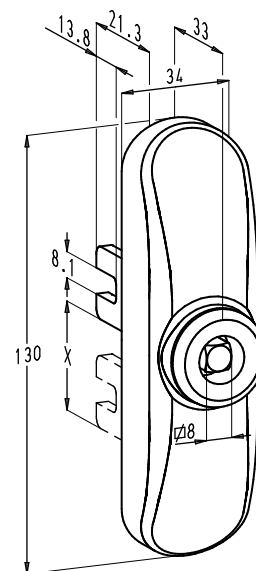
N° 30000-659W

Throw X = 34 mm



N° 30000-657W

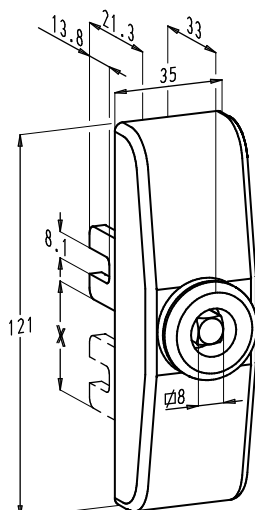
Throw X = 34 mm



- The same handles can be used for tilt-turn, side hung and bottom hung open in windows. So these windows can be used next to one another with the advantage of having the same appearance.
- Finish:
 - handle n° 30000-659W and -657W in zinc alloy, always polyester powder coated.
 - handle n° 30000-655W in aluminium anodised or polyester powder coated.
 - more than 450 RAL colours.
- Fixing holes: see page A11.15.25.
- This version must to be operated with the special key n° 505W. With the key, the handle can be easily operated.

N° 30000-655W

Throw X = 34 mm

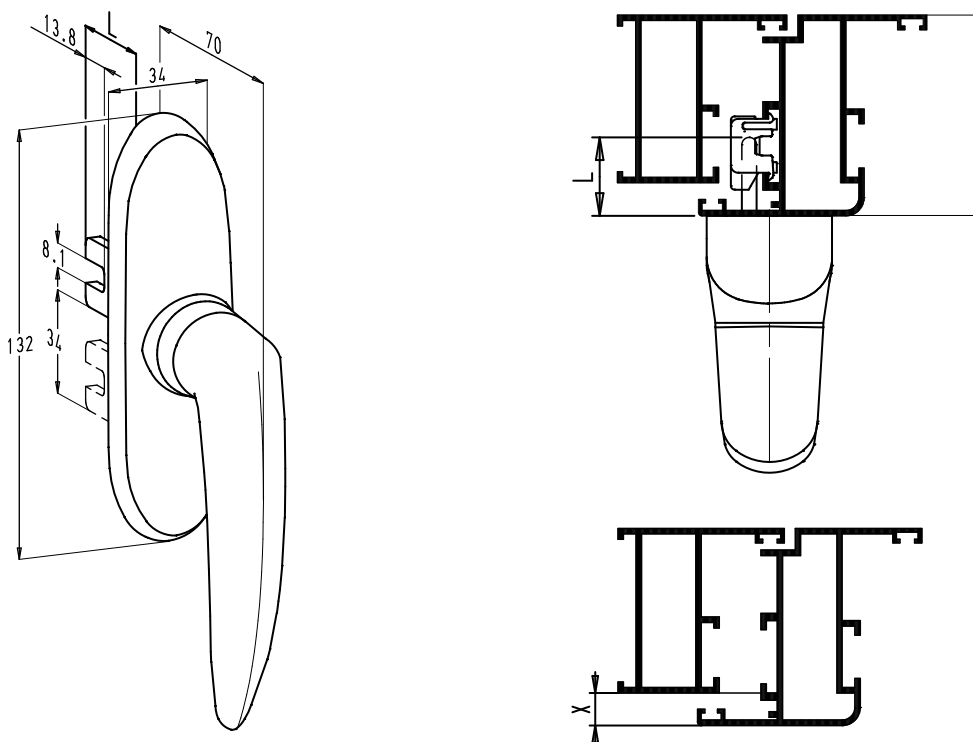


N° 505W










HANDLES AND LOCKCASES

2.7. Handles with long fork

- The handles with longer fork are available in 5 types:

Handles with long fork						
					Length fork L (mm)	Distance between frame and vent X (mm)
30000-654	30000-655	30000-657	30000-659	30000-662	21.3	7-10
4000-214	4000-215	4000-217	4000-219	-	24.5	10-13
30000-654-26	30000-655-26	30000-657-26	30000-659-26	30000-662-26	26	12-15
30000-654-29	30000-655-29	30000-657-29	30000-659-29	30000-662-29	29	15-18
30000-654-32	30000-655-32	30000-657-32	30000-659-32	30000-662-32	32	18-21
30000-654-35	30000-655-35	30000-657-35	30000-659-35	30000-662-35	35	21-24
30000-654-38	30000-655-38	30000-657-38	30000-659-38	30000-662-38	38	24-27

- Besides the dimension X, the profiles must meet a number of profile requirements to obtain a good installation of the fittings. The required profile dimensions can be found on page A11.11.03.
- The same handles can be used for tilt-turn, side hung and bottom hung open in windows. So these windows can be used next to one another with the advantage of having the same appearance.
- The handles are also available in V-, W-, S- and CYL version.
- Fixing holes: see page A11.15.25.

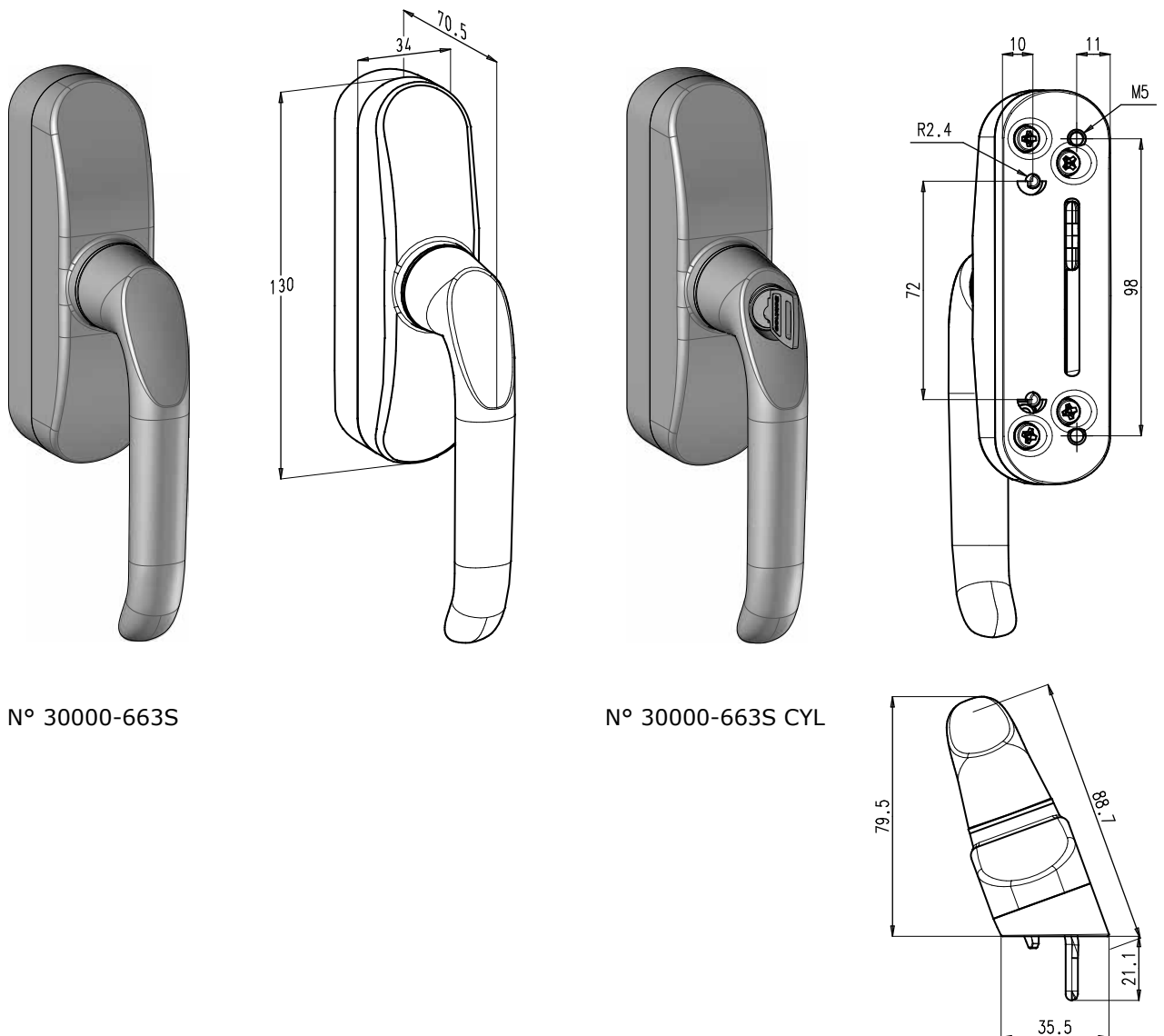


2.8. Handles with sloping base

Characteristics

- The handles with sloping base are used in situations where the frame profile obstructs the grabbing of the grip.
- General characteristics: see page A11.15.16.
- The base is provided with 2 hook-in pins which engage into the profile in order to have a solid fixing.
- Also available as cylinder locking handle (CYL).
- The handle is only available as type 'S' with the fixing holes at a distance of 98 mm.
- Handle preparations: see next page.

Handles n° 30000-663S and n° 30000-663S CYL



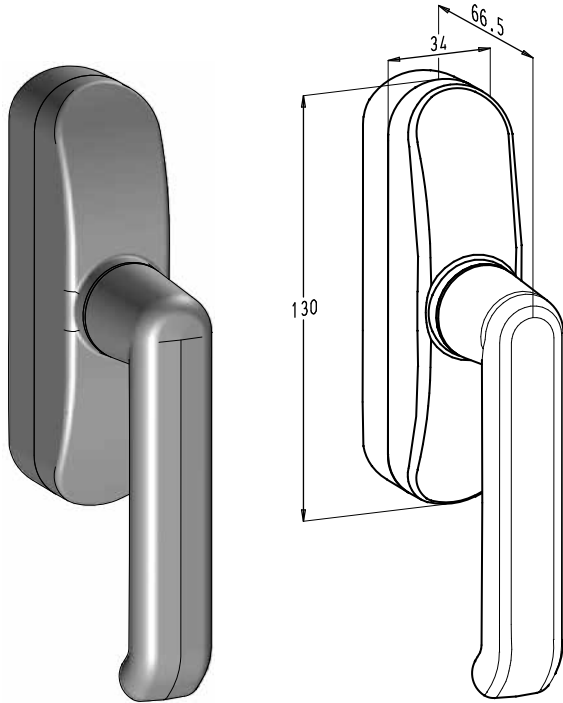
N° 30000-663S

N° 30000-663S CYL

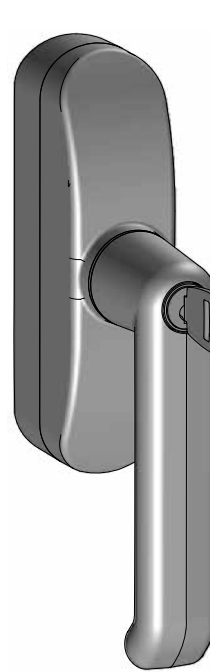


HANDLES AND LOCKCASES

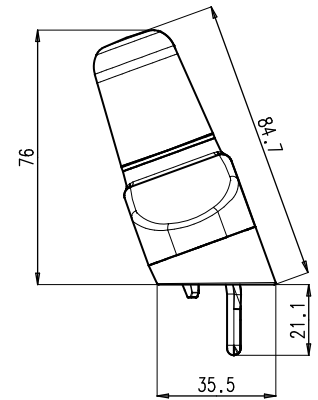
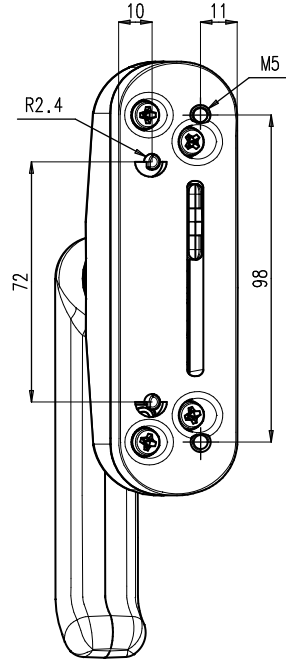
Handles n° 30000-660S and n° 30000-660S CYL



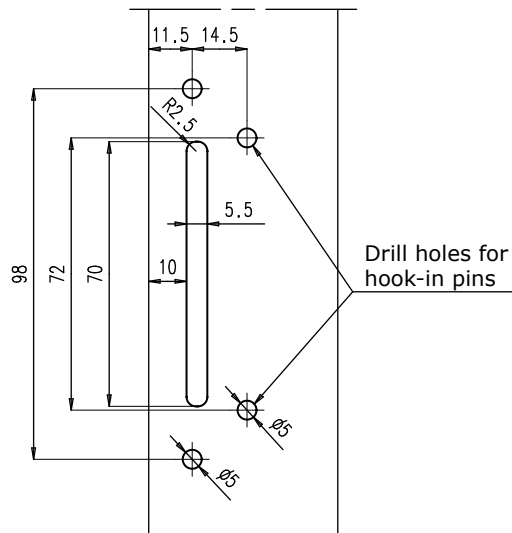
N° 30000-660S



N° 30000-660S CYL

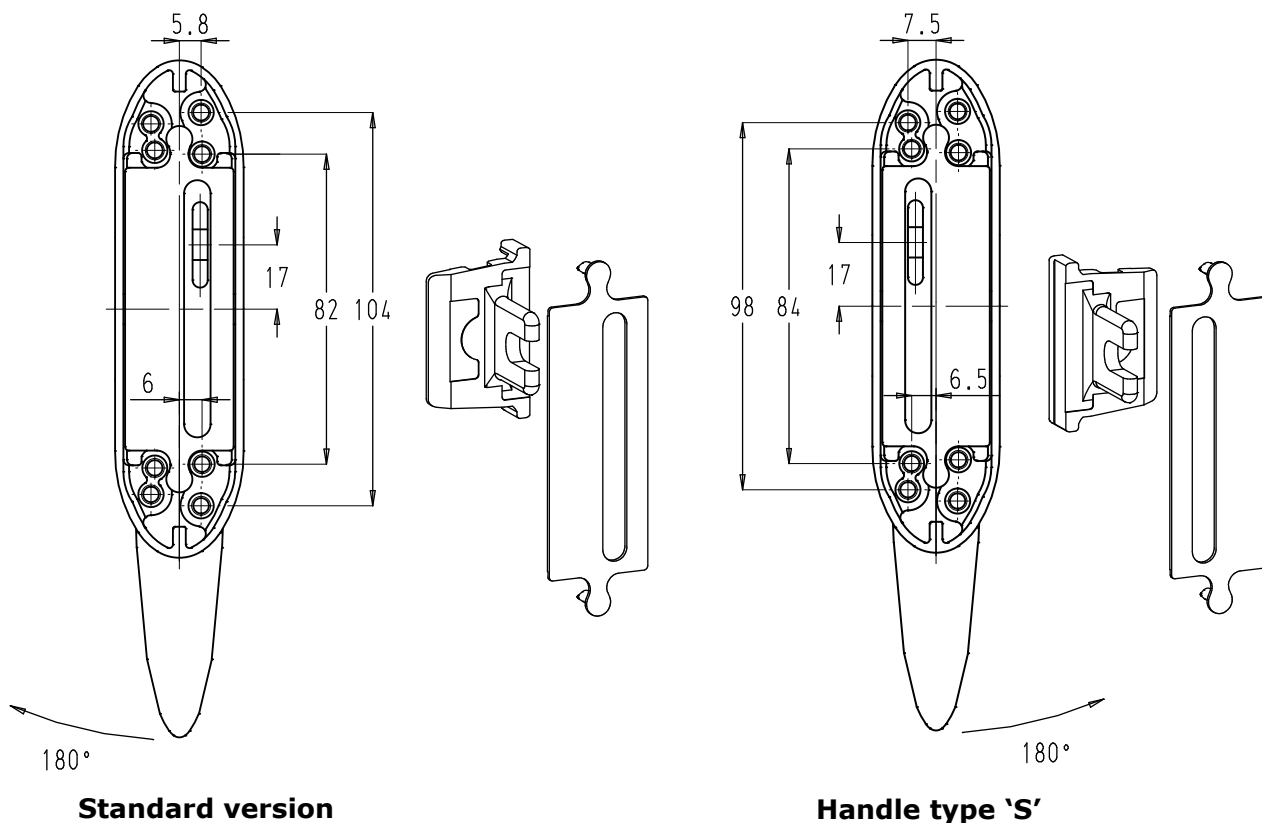


Handle preparations

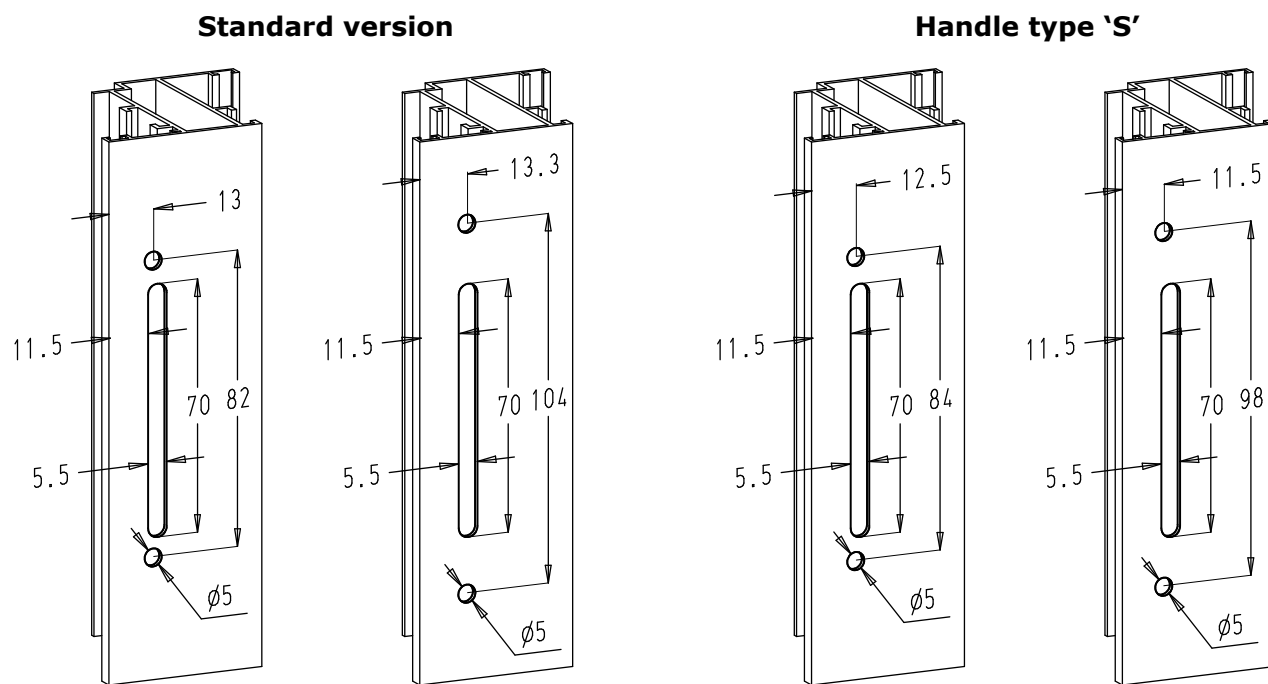




2.9. Standard and 'S' handle



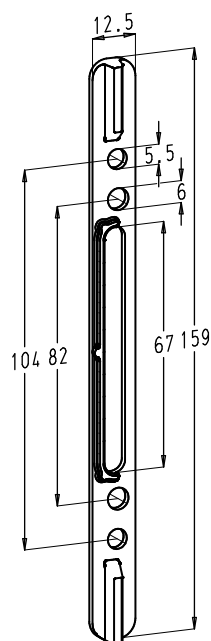
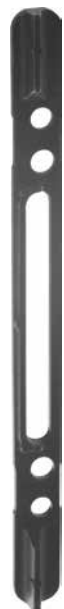
2.10. Handle preparations



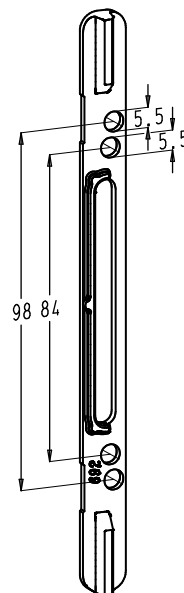
- A drilling jig n° 4000-396 is available for the handle cut-out.



HANDLES AND LOCKCASES

2.11. Reinforcement piece for handle n° 30000-691 and -692

N° 30000-691



N° 30000-692

- The reinforcement pieces produce a more solid fixing of the handle.
- This piece serves as a clamping plate and prevents deformation of the profile wall or in extreme situations prevents the fixing screws being pulled through profiles with thin walls.
- Choice between 2 pieces depending on fixing hole configuration:
 - N° 30000-691: standard handle
 - N° 30000-692: handle type 'S'
- Note: only the fixing holes at 82 mm and 84 mm are possible in combination with the Chrono Safe connection piece.
- Installation: see example.

